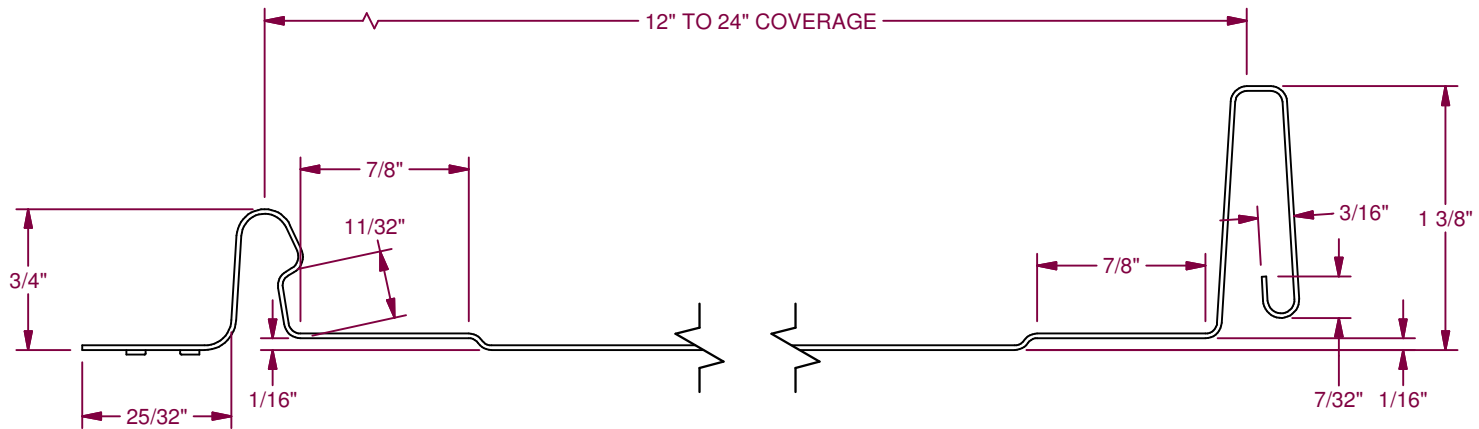
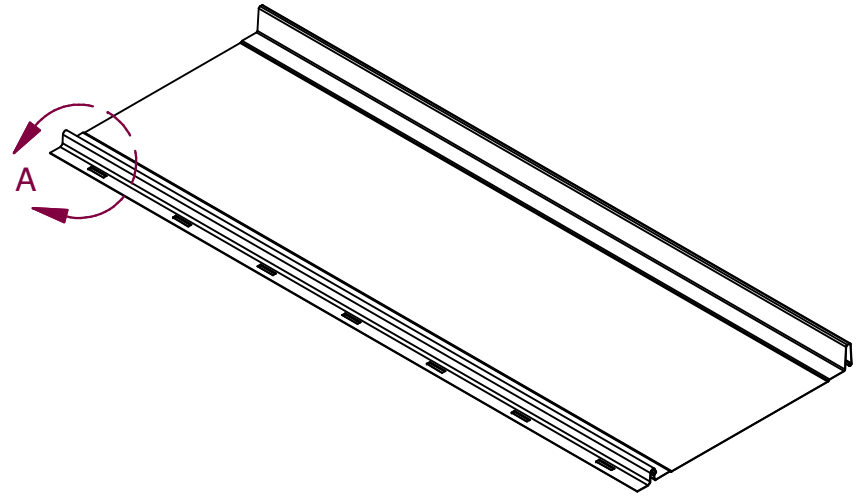



1" X 1/4" SLOT  
EQUALLY SPACED  
EVERY 5 3/16"

DETAIL A



NOTE:  
MATERIAL USAGE = 5.00"

MATERIAL				FINISH		 <b>NEW TECH MACHINERY CORP.</b>		<b>FF150 PANEL PROFILE</b>	
REVISION HISTORY	REV	ECR NO.	DATE	RELEASED BY	TOLERANCES				
	0	TENTATIVE	11/2/07		.XX = ± .01	AJB		1 OF 1	1
	1	R-1538	5/21/08		.XXX = ± .005	DATE			
						FRACTION = ± 1/32"	CHECK BY	FF5-FF5	
					ANGLE = ± 1/2'	DATE			