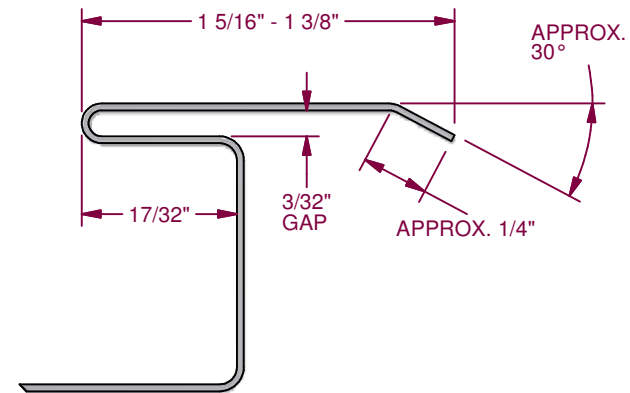
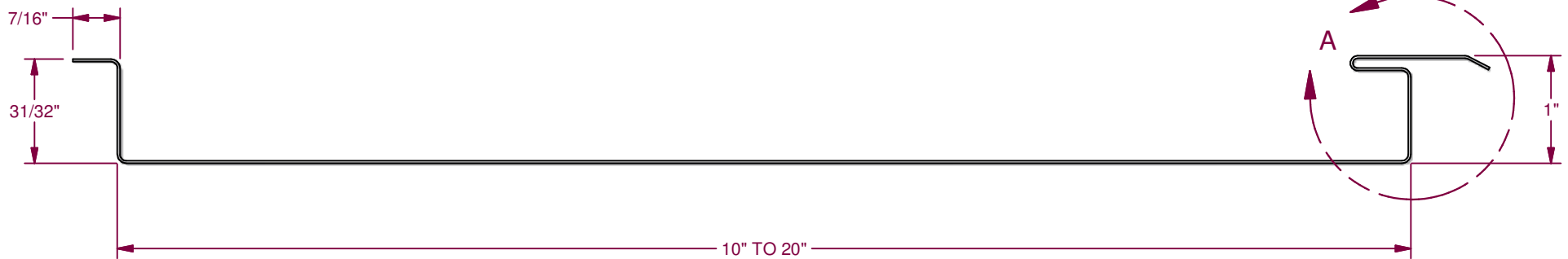



NOTE:
MATERIAL USAGE: 4"

WHEN USING PERFORATOR:
MAXIMUM NET FREE AREA = 2.65 SQ. IN.
PER 12 IN. OF PERFORATION
MAXIMUM OF TWO PERFORATIONS PER PANEL



DETAIL A



MATERIAL				FINISH		 NEW TECH MACHINERY CORP.	PART NAME		SHEET	REVISION
REVISION HISTORY	REV	ECR NO.	DATE	RELEASED BY	TOLERANCES		DRAWN BY	FWM-UD PANEL PROFILE		
	0	R-1458	11/28/07	JD	.XX = ± .01	DATE	FW1-FWM-UD			
					.XXX = ± .005	11/26/07	1 OF 1			
					FRACTION = ± 1/32"	CHECK BY	0			
					ANGLE = ± 1/2'	JD				
					DATE					
					11/28/07					