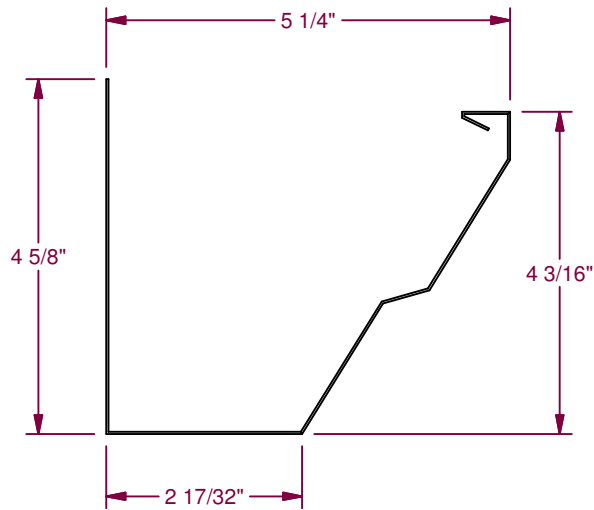
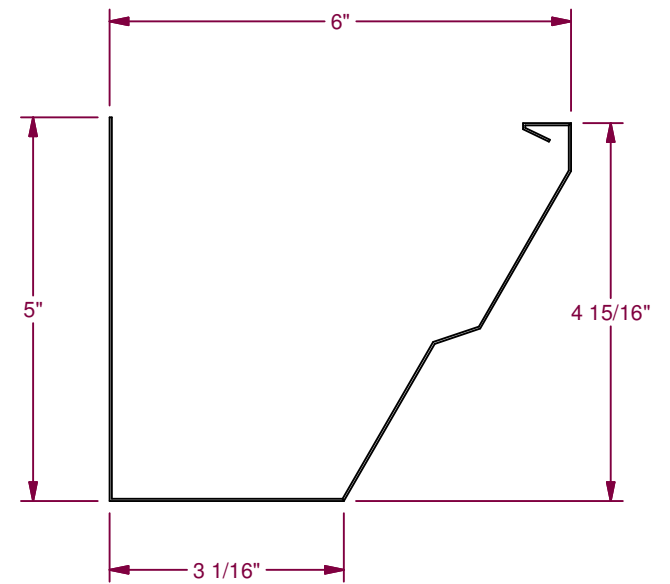


1178 COIL




1350 COIL



1500 COIL

- NOTES:
 1. R=.015 UNLESS OTHERWISE SPECIFIED.
 2. BREAK ALL SHARP EDGES.

MATERIAL				WEIGHT	FINISH	 NEW TECH MACHINERY <small>A MAZDA COMPANY</small>	NEW TECH MACHINERY CORP.			
				3.406 lbs	NONE					
REVISION HISTORY	REV	ECR NO.	DATE	RELEASED BY	TOLERANCES	DRAWN BY	PART NAME			
					.XX = ± .01	DNV	ONE STEP			
					.XXX = ± .005	ECR NO.				
					FRACTION = ± 1/32"	PROTO				
					ANGLE = ± 1/2°	RELEASED BY	PART NUMBER		SHEET	REVISION
						AJB	001-Comparison		1 OF 1	0
						RELEASE DATE				
						01/08/2020				