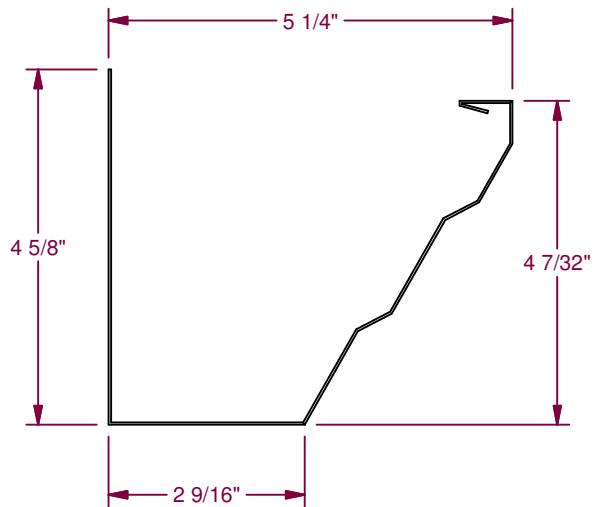
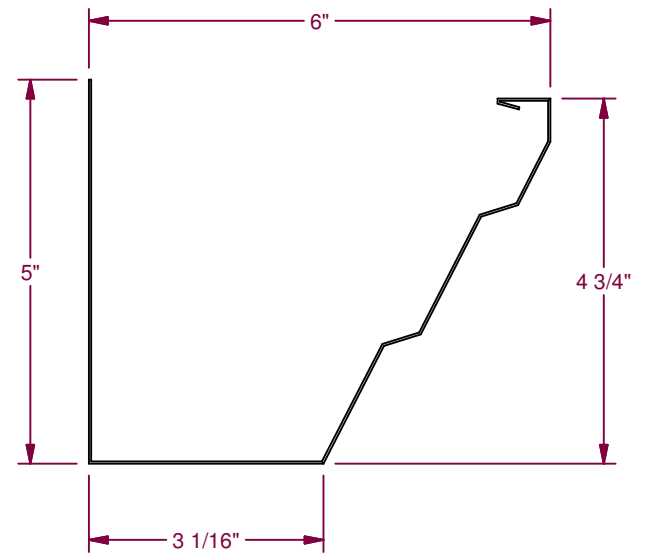


1178 COIL




1350 COIL



1500 COIL

- NOTES:  
 1. R=.015 UNLESS OTHERWISE SPECIFIED.  
 2. BREAK ALL SHARP EDGES.

MATERIAL				WEIGHT	FINISH	 <b>NEW TECH MACHINERY CORP.</b>			
				5.888 lbs	NONE				
REVISION HISTORY	REV	ECR NO.	DATE	RELEASED BY	TOLERANCES	DRAWN BY <b>DNV</b> ECR NO. <b>PROTO</b> RELEASED BY <b>AJB</b> RELEASE DATE <b>01/08/2020</b>			
					.XX = ± .01				
					.XXX = ± .005				
					FRACTION = ± 1/32"				
					ANGLE = ± 1/2°				
						PART NAME		TWO STEP	
						PART NUMBER		SHEET	REVISION
						002-Comparison		1 OF 1	0