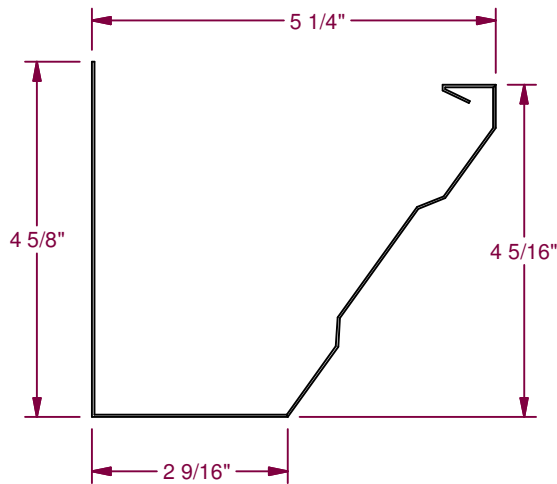
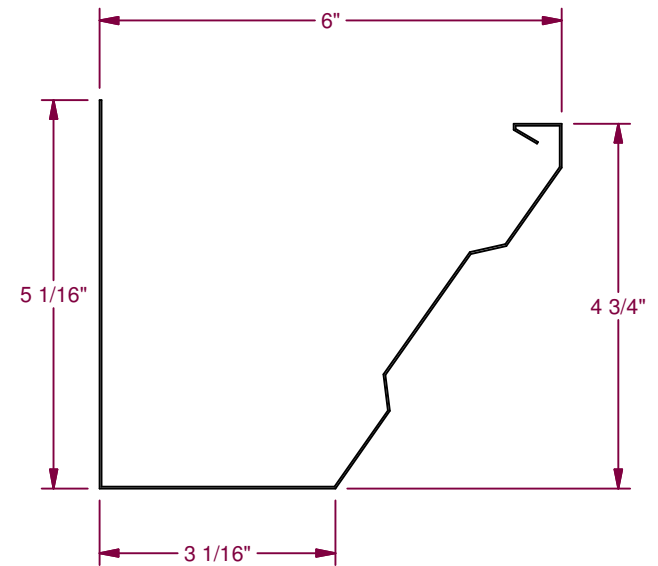


1178 COIL




1350 COIL



1500 COIL

- NOTES:
 1. R=.015 UNLESS OTHERWISE SPECIFIED.
 2. BREAK ALL SHARP EDGES.

MATERIAL				WEIGHT	FINISH	 NEW TECH MACHINERY CORP.		
				1.474 lbs	NONE			
REVISION HISTORY	REV	ECR NO.	DATE	RELEASED BY	TOLERANCES	DRAWN BY	PART NAME	
					.XX = ± .01	DNV	INSET STEP	
					.XXX = ± .005	ECR NO. PROTO		
					FRACTION = ± 1/32"	RELEASED BY	PART NUMBER	
					ANGLE = ± 1/2°	AJB	003-Comparison	
						RELEASE DATE	SHEET	REVISION
						2/06/2020	1 OF 1	0