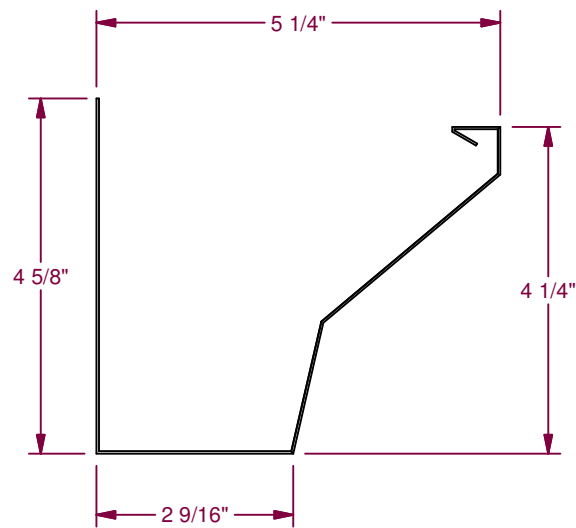
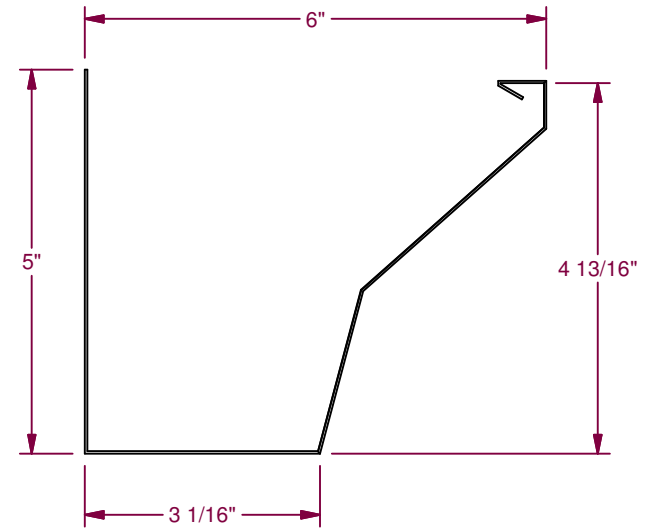


1178 COIL




1350 COIL



1500 COIL

NOTES:
 1. R=.015 UNLESS OTHERWISE SPECIFIED.
 2. BREAK ALL SHARP EDGES.

MATERIAL				WEIGHT	FINISH	 NEW TECH MACHINERY CORP.			
				3.561 lbs	NONE				
REVISION HISTORY	REV	ECR NO.	DATE	RELEASED BY	TOLERANCES	PART NAME			
					.XX = ± .01	BOX BOTTOM			
					.XXX = ± .005	PART NUMBER			
					FRACTION = ± 1/32"	004-Comparison			
					ANGLE = ± 1/2°	SHEET			
RELEASED BY						RELEASE DATE		REVISION	
AJB						01/08/2020		1 OF 1	
								0	