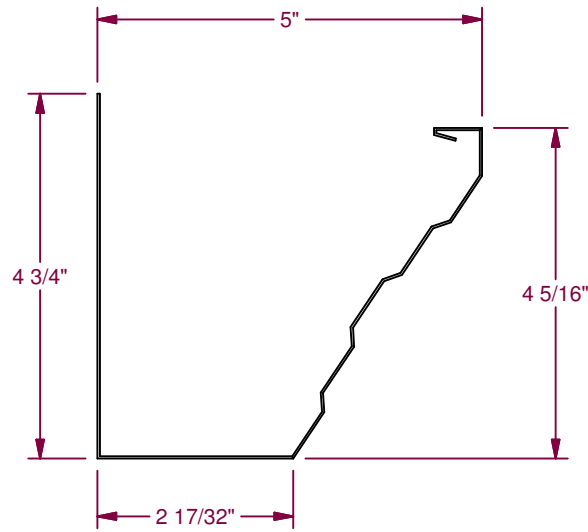
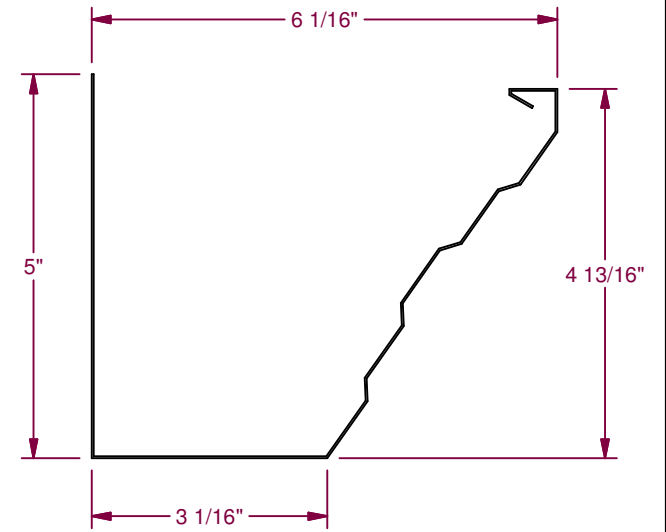


1178 COIL




1350 COIL



1500 COIL

- NOTES:  
 1. R=.015 UNLESS OTHERWISE SPECIFIED.  
 2. BREAK ALL SHARP EDGES.

MATERIAL				WEIGHT	FINISH	 <b>NEW TECH MACHINERY</b> <small>A MAZDA COMPANY</small>	<b>NEW TECH MACHINERY</b> <b>CORP.</b>		
				2.395 lbs	NONE		<b>QUAD STEP</b>		
REVISION HISTORY	REV	ECR NO.	DATE	RELEASED BY	TOLERANCES	DRAWN BY	PART NAME		
					.XX = ± .01	DNV	005-Comparison		
					.XXX = ± .005	ECR NO.	SHEET		
					FRACTION = ± 1/32"	PROTO	1 OF 1		
					ANGLE = ± 1/2°	RELEASED BY	REVISION		
					AJB	0			
					RELEASE DATE	PART NUMBER			
					02/07/2020	005-Comparison			