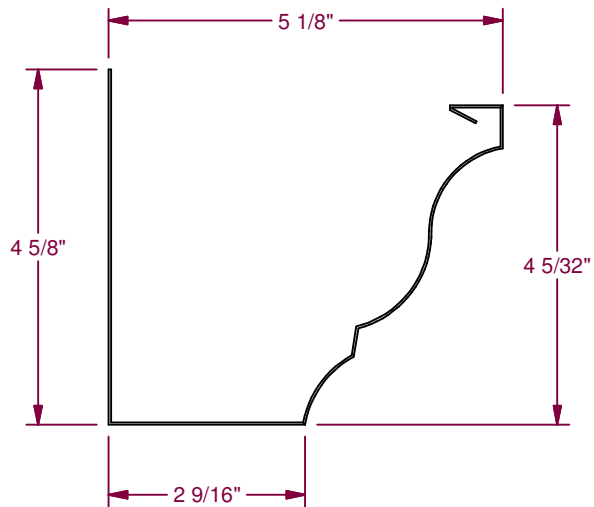
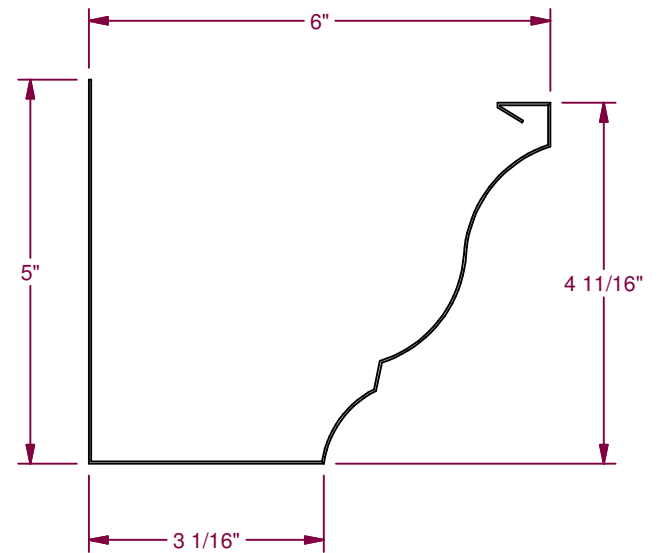


1178 COIL




1350 COIL



1500 COIL

- NOTES:  
 1. R=.015 UNLESS OTHERWISE SPECIFIED.  
 2. BREAK ALL SHARP EDGES.

MATERIAL				WEIGHT	FINISH	 <b>NEW TECH MACHINERY</b> <small>A MAZDA COMPANY</small>	<b>NEW TECH MACHINERY</b> <b>CORP.</b>			
				6.55 lbs	NONE					
REVISION HISTORY	REV	ECR NO.	DATE	RELEASED BY	TOLERANCES	DRAWN BY	PART NAME			
					.XX = ± .01	DNV	CROWN MOLD			
					.XXX = ± .005	ECR NO.				
					FRACTION = ± 1/32"	PROTO				
					ANGLE = ± 1/2°	RELEASED BY	PART NUMBER		SHEET	REVISION
						AJB	006-Comparison		1 OF 1	0
						RELEASE DATE				
						01/08/2020				