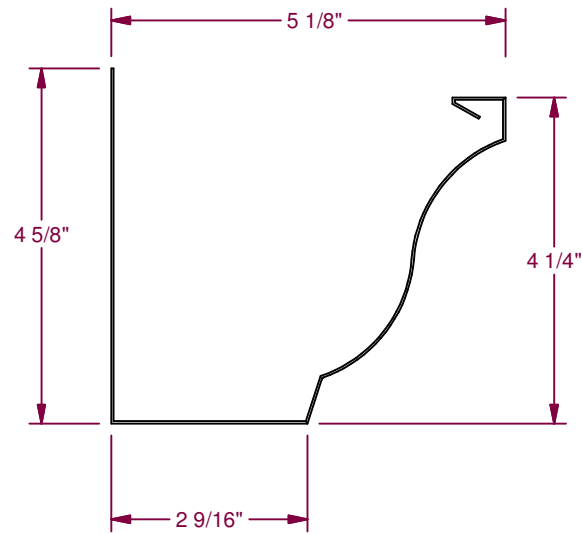
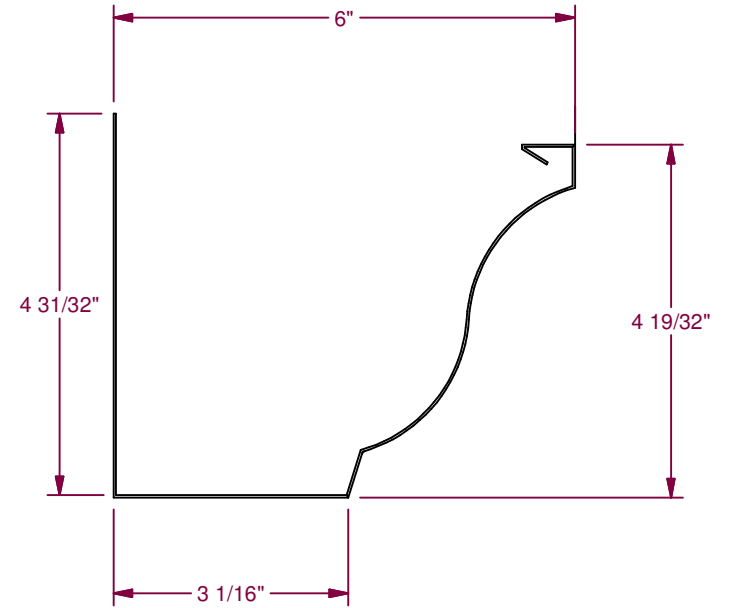


1178 COIL




1350 COIL



1500 COIL

- NOTES:
 1. R=.015 UNLESS OTHERWISE SPECIFIED.
 2. BREAK ALL SHARP EDGES.

MATERIAL				WEIGHT	FINISH	 NEW TECH MACHINERY CORP.				
				15.907 lbs	NONE					
REVISION HISTORY	REV	ECR NO.	DATE	RELEASED BY	TOLERANCES	PART NAME				
					.XX = ± .01	COLONIAL				
					.XXX = ± .005					
					FRACTION = ± 1/32"	RELEASED BY	PART NUMBER		SHEET	REVISION
					ANGLE = ± 1/2°	AJB	007-Comparison		1 OF 1	0
					RELEASE DATE					
					01/08/2020					