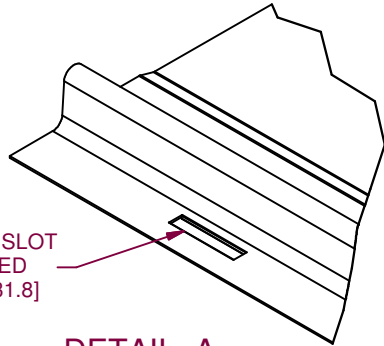
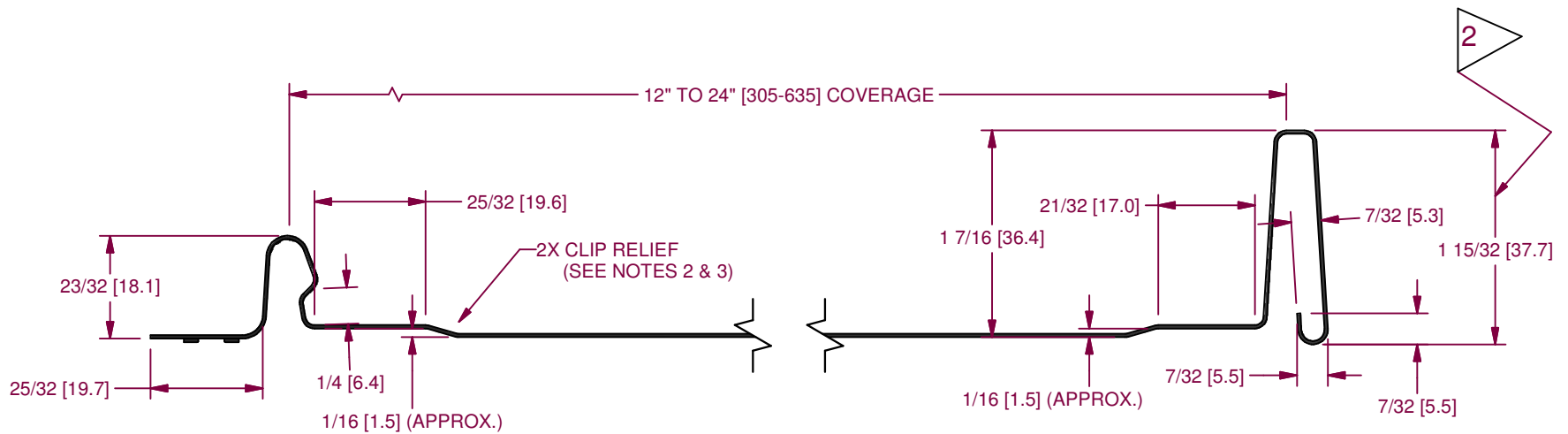
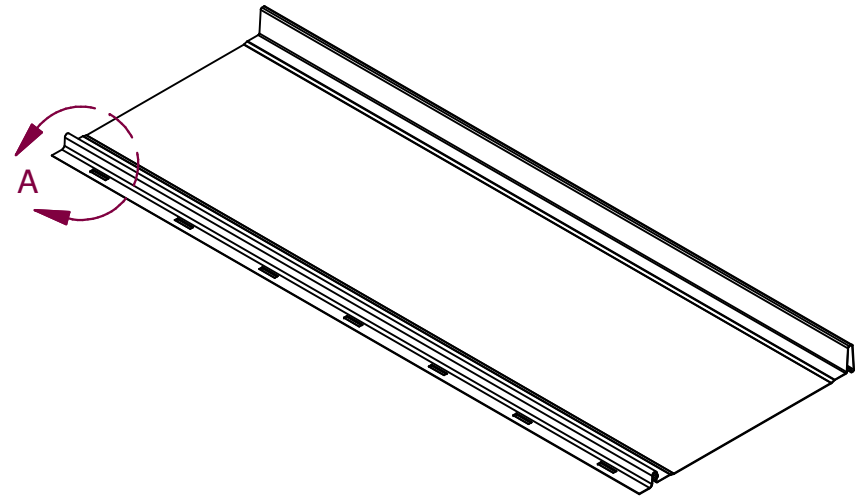


1" x 1/4" [25.4 x 6.4] SLOT
EQUALLY SPACED
EVERY 5 3/16" [131.8]



DETAIL A




2 INCREASED LENGTH OF LEG
REVISED MATERIAL USAGE

NOTES:

1. MATERIAL USAGE: 5 5/16"
2. CLIP RELIEF ROLLERS ARE STANDARD WITH THIS PANEL.
3. PANEL IS SHOWN WITH CLIP RELIEF ROLLERS ENGAGED.
4. DUAL DIMENSIONS: Inch [mm]

MATERIAL PAINTED STEEL/PAINTED ALUMINUM/COPPER				FINISH NONE	
REVISION HISTORY	REV	ECR NO.	DATE	RELEASED BY	TOLERANCES
	0	TENTATIVE	11/02/2007	UNK	.XX = ± .01
	1	R-1538	05/21/2008	UNK	.XXX = ± .005
	2	R-1796	09/22/2011	BT	FRACTION = ± 1/32" ANGLE = ± 1/2'

		NEW TECH MACHINERY CORP.	
DRAWN BY AJB	DATE 11/02/2007	PART NAME FF150 PANEL PROFILE	
CHECK BY BT	DATE 09/22/2011	PART NUMBER FF5-FF5	SHEET 1 OF 1
		REVISION 2	