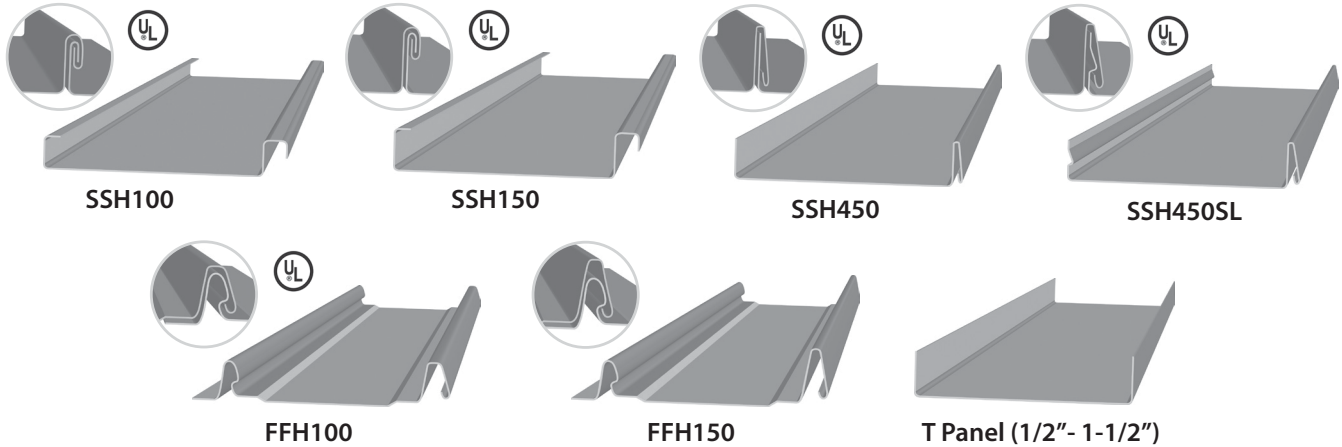


The World's Finest Portable Rollforming Equipment

SSH Panel Profiles (Choice of)



These field formed panels have demonstrated compliance with UL580, Class 90 when a UL certificate accompanies the machine producing panel.



PROFILES	
SSH100 * †	1" high x 1/2" wide (25.4mm x 12.7mm) mechanically seamed panel. Includes a hand seamer and clip relief.
SSH150 * †	1-1/2" high x 1/2" wide (38.1mm x 12.7mm) mechanically seamed panel. Includes a hand seamer and clip relief.
SSH450 * / 450SL *	1-1/2" high x 1/4" wide (38.1mm x 6.4mm) snap clip panel / snap lock panel. Includes clip relief rollers.
FFH100	1" snap seam (25.4mm) with slotted fastener flange for clipless installation. Includes clip relief rollers and automatic "no chip" rotary slotter.
FFH150	1-1/2" snap seam (38.1 mm) with slotted fastener flange for clipless installation. Includes clip relief rollers and automatic "no chip" rotary slotter.
T-Panel	1/2" to 1-1/2" high (12.7mm to 38.1mm)

* Can make T-Panel † Suitable for Zinc

All roller systems include shear dies and clip relief rollers.

- SSH100, SSH150 and SSH450/450SL Roller Systems all use identical left side roller sets.
- FFH100 and FFH150 also share identical left side roller sets.

If you purchase or own one of these roller systems, you can add any of the other right side systems *at a reduced price!*

- Warranty:**
- Three years parts (including electrical) / Three years labor
 - Limited lifetime separation on drive rollers
 - Limited lifetime on stainless steel forming rollers

U.S. PATENT NO. 6,772,616

Rib Roller Options



CLIP RELIEF



BEAD RIBS
(STANDARD OR WIDE)



PENCIL RIBS
(SMALL OR LARGE)



V-RIBS
(SMALL OR LARGE)



STRIATION RIBS