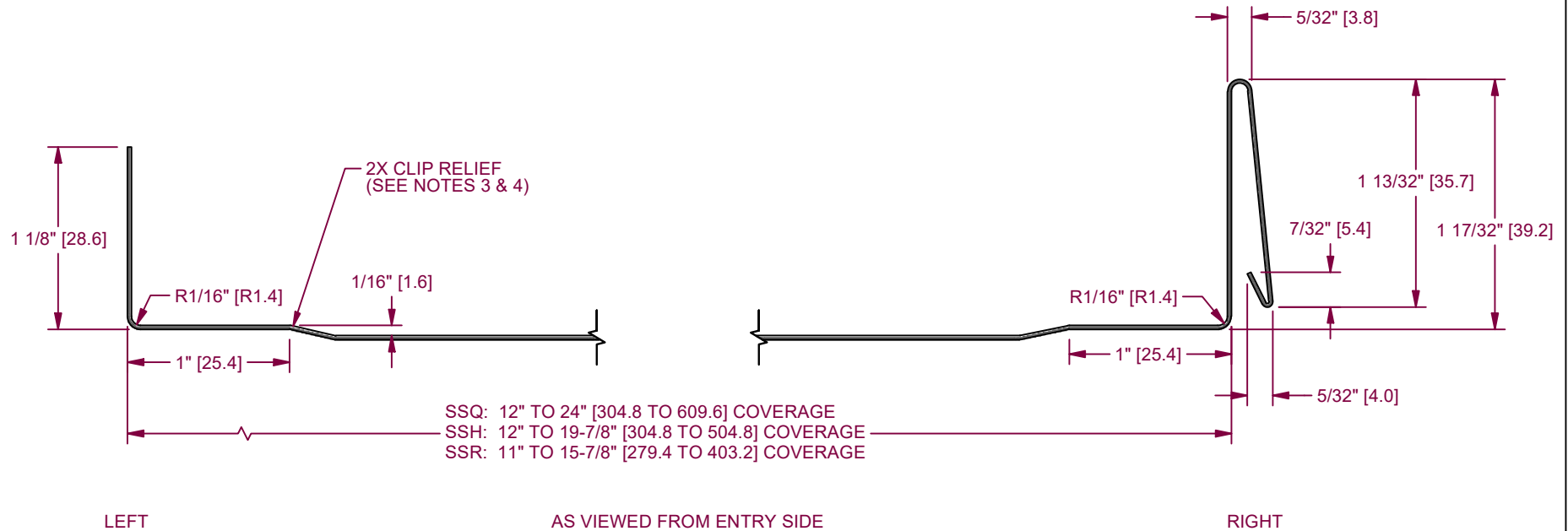
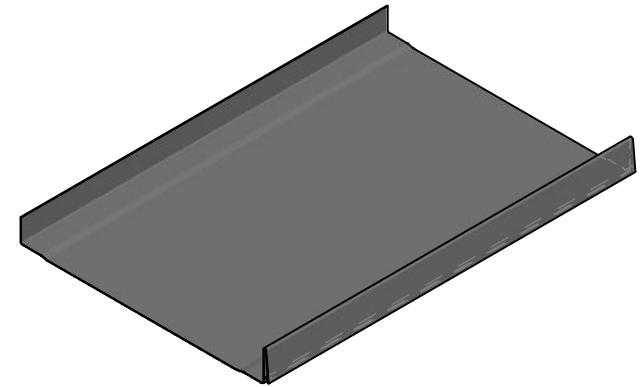



**4** ADDED SSH AND SSR PANEL WIDTHS



- NOTE:
1. MATERIAL USAGE: 4 1/8" [104.8] APPROX.
  2. CLIP RELIEF ROLLERS ARE STANDARD WITH THIS PANEL.
  3. PANEL IS SHOWN WITH CLIP RELIEF ROLLERS ENGAGED.
  4. OPTIONAL MINOR BEAD RIB OR STRIATIONS AVAILABLE.
  5. DUAL DIMENSIONS: Inch [mm]

MATERIAL PAINTED STEEL/PAINTED ALUMINUM/COPPER				FINISH NONE		 <b>NEW TECH MACHINERY CORP.</b>		
REVISION HISTORY	REV	ECR NO.	DATE	RELEASED BY	TOLERANCES			DRAWN BY
	1	Updated	11/08/07	JD	.XX = ± .01	DATE	SS450 PANEL PROFILE	
	2	ADDED mm	05/02/2012	JD	.XXX = ± .005	11/08/07		
	3	R-2190				CHECK BY	PART NUMBER	
4	R-2368	6/11/2020	AJB		RS	SS4-450P	SHEET	REVISION
						DATE	1 OF 1	4
						11/08/07		